

# DUAL FREQUENCY ECHOSOUNDER ECHOLOGGER EU D24 (USB type)

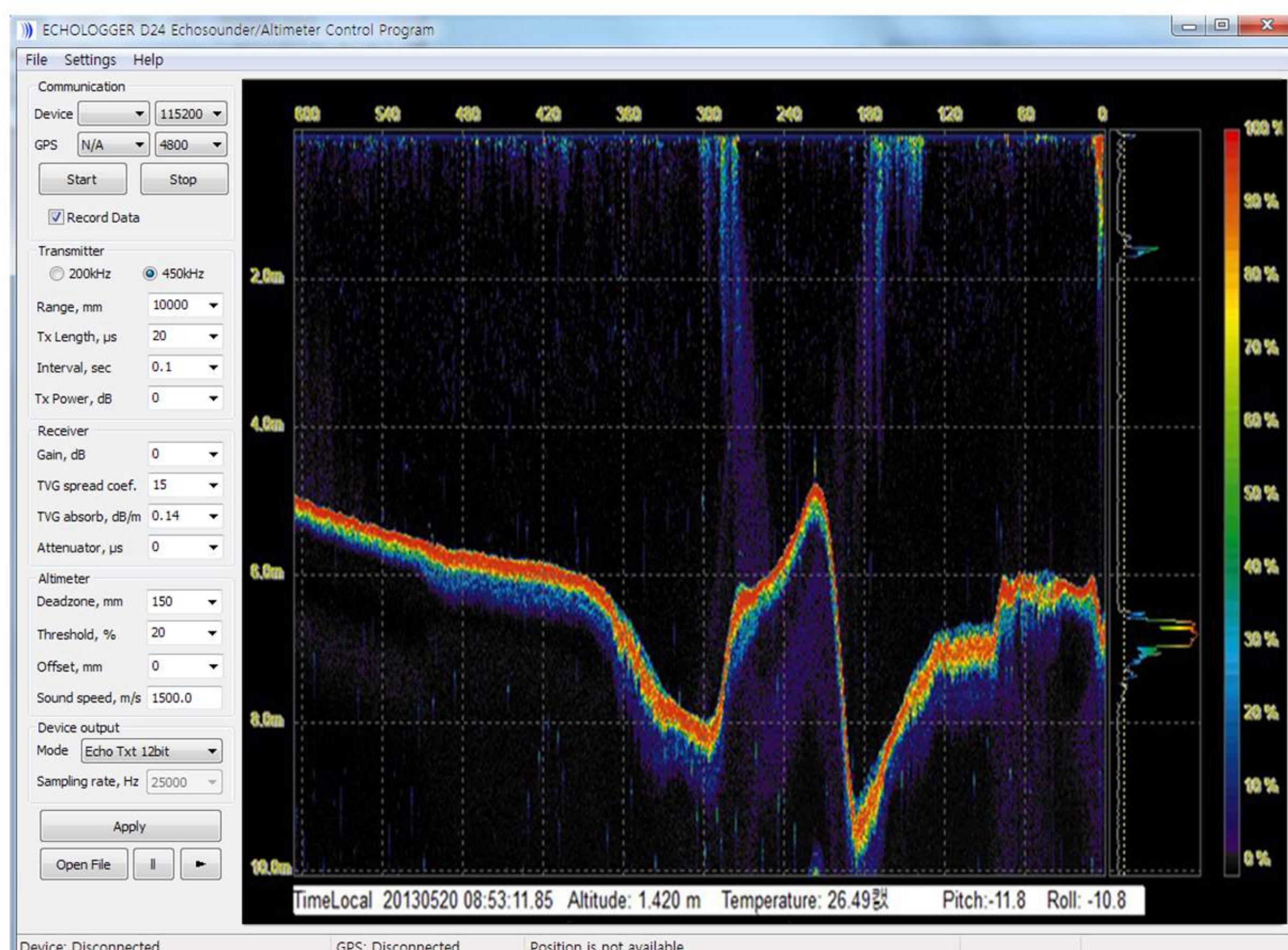
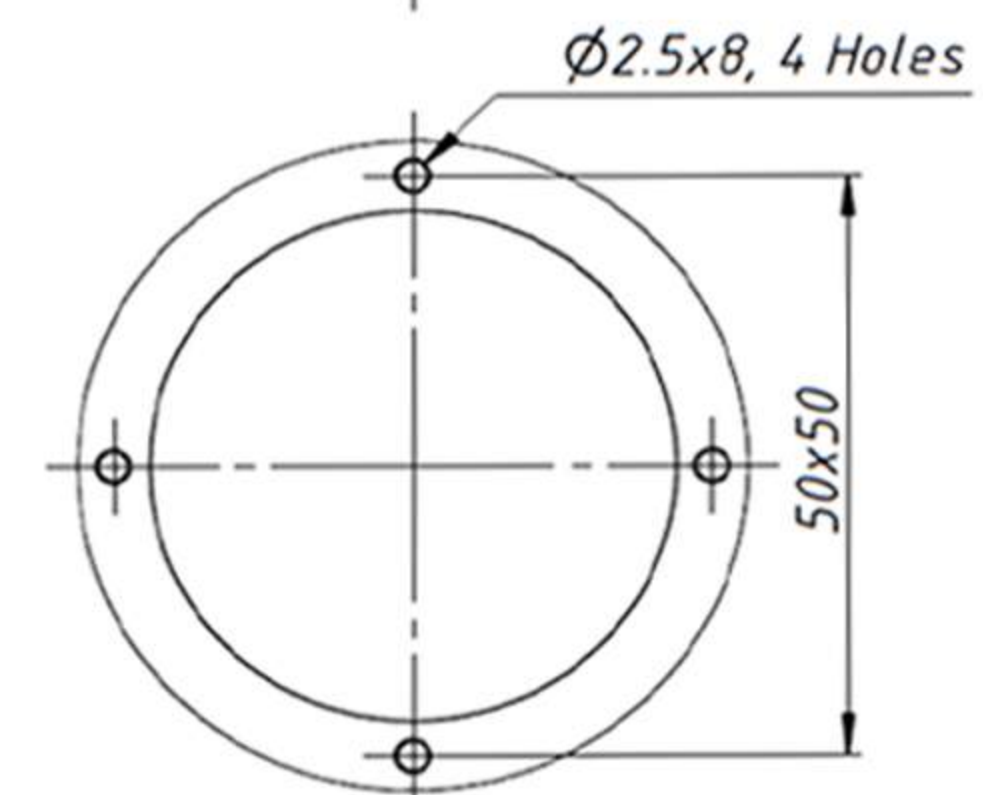
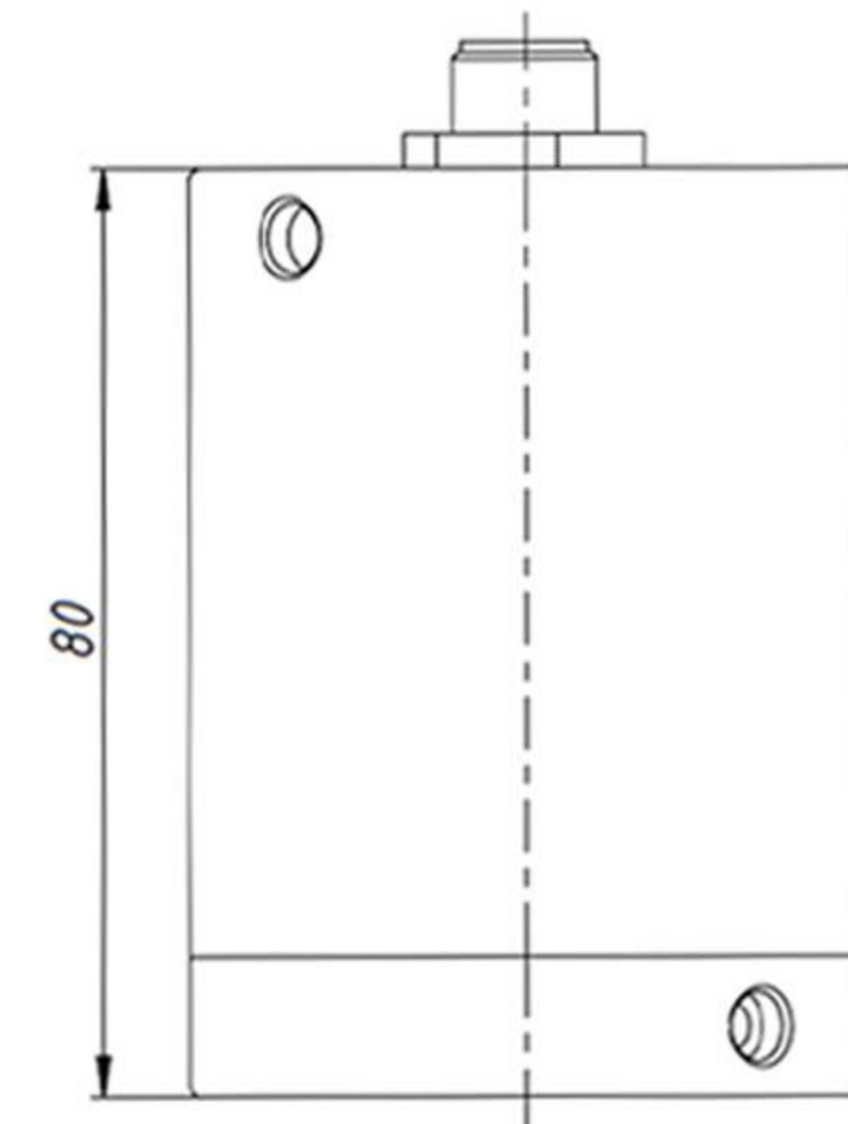
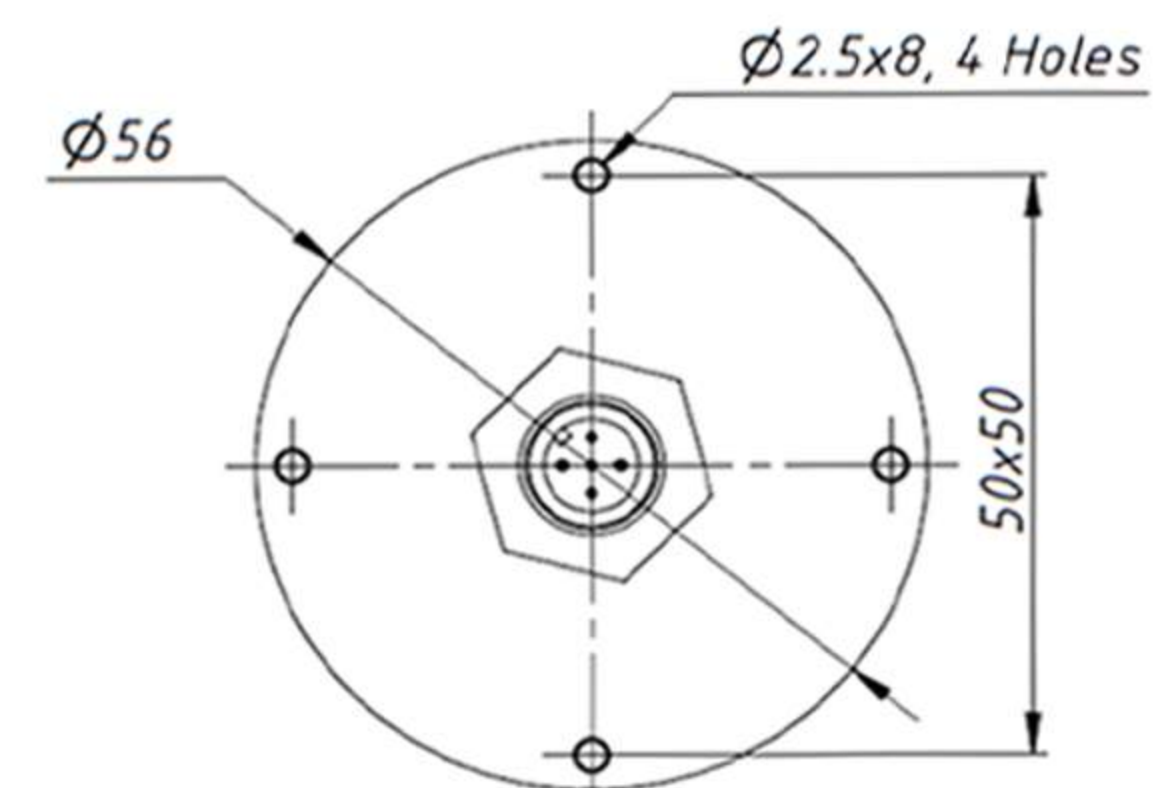


## FEATURES

- Plug and Play with a laptop PC via USB port
- Extremely easy to use
- Real-time backscatter data collection along full water columns
- Compatible with Hypack, Topcon receiver, HydroPro(Trimble)
- User friendly GUI software provided for instant image update
- Tilt sensor integrated as standard
- Fully adjustable parameters
- Affordable price

## APPLICATIONS

- Sea bed mapping
- Sediment Move Monitoring
- Bridge Scour Monitoring





## SPECIFICATION

<b>Acoustic Frequency</b>	200 kHz / 450 KHz
<b>Beam width</b>	10° / 5° Conical (-3dB)
<b>Transmit Pulse Width</b>	10 $\mu$ sec ~ 200 $\mu$ sec
<b>Transmit Power</b>	Max. 50 W (adjustable)
<b>TVG Control</b>	Up to 60 dB
<b>Gain Control</b>	-30 dB to +30 dB
<b>Input Signal Attenuator (-20dB)</b>	Activation time 0~300,000 $\mu$ Sec
<b>Ranges</b>	0.15 m ~ 200 m (200kHz), 0.15 m ~ 100 m (450kHz)
<b>Repetition (Ping) Rate</b>	100 Hz max
<b>Sampling Rate (Profiling mode)</b>	Max 100kHz; adjustable, or auto mode (default)
<b>Water Column Resolution</b>	Appx. 7.5 mm @100kHz sampling
<b>Altimeter Range Resolution</b>	1.0 mm
<b>Temperature sensor Resolution</b>	0.1° C
<b>Tilt sensor integrated</b>	Dual-axis (Roll & Pitch) $\pm$ 90° , Inclination data resolution 0.1°
<b>Synchronization</b>	Outward / Inward (S/W selectable) -ECT D24U & ECS D24U
<b>Analog Output Interface</b>	1.25V, 2.5V, 5V, 10V max (S/W selectable), Distance or Envelope
<b>Digital Output Interface</b>	USB 2.0
<b>Communication Speed</b>	4800 ~ 921600, 3M baud (115200 baud default)
<b>Data Output Format Profile</b>	Profile 10bit/12bit resolution ASCII Text Profile 12bit resolution Binary Profile 8bit resolution Binary (12bit compressed to 8bit) Altitude NMEA0183 / Altitude Simple
<b>Configuration and Data reading</b>	Echologger Control Program or any Terminal program
<b>Connector</b>	EU D24 - LTW 12-05PMMS-SH8003 & 5m USB 2.0 Cable
<b>Power supply</b>	USB Powered, 2W max
<b>Operation Temperature</b>	-10° C +50° C
<b>Operating Depth</b>	Standard 1m, 100m (up to 6000m)
<b>Housing</b>	EU D24: Acetal (1m) IP68
<b>Dimensions (100m rate)</b>	EU D24: D56 mm x L80 mm (without connector)
<b>Weight (100m rate)</b>	EU D24: 240g